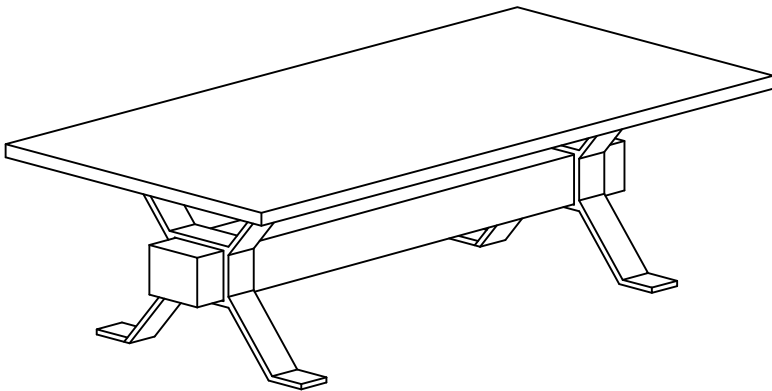






ASSEMBLY INSTRUCTION



NO.:	HARDWARE LIST	Q'TY
A		10
B		12
C		2
D		1

